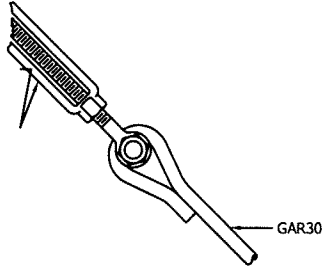
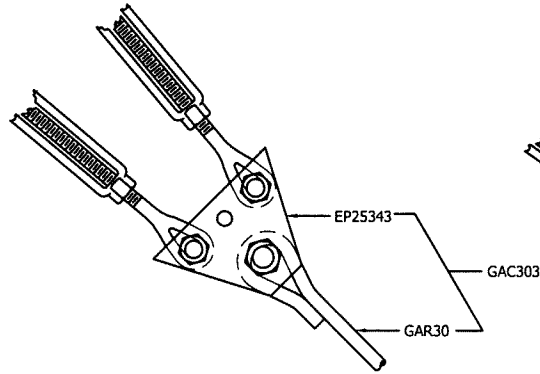


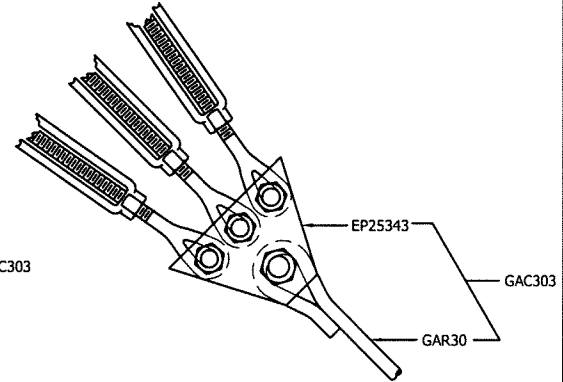
5/8TB&J TURNBUCKLE MUST BE USED FOR ANCHORS WITHOUT EQUALIZER PLATES & HAVING ONLY ONE GUY



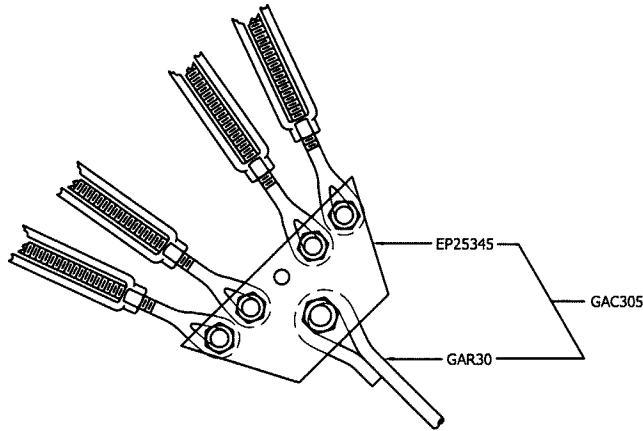
ONE WIRE ATTACHMENT
NO EQUALIZER PLATE REQ'D



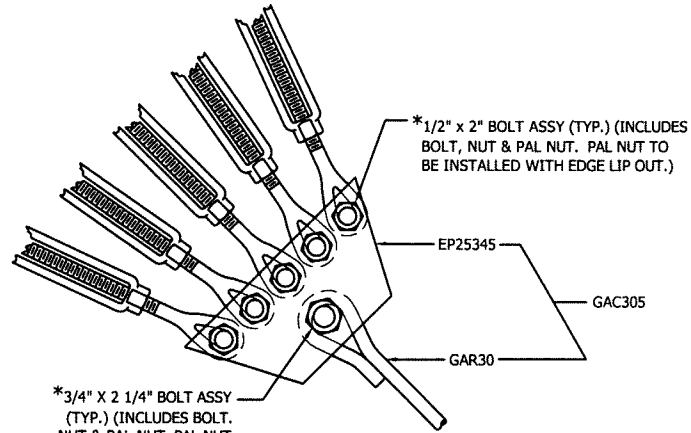
TWO WIRE ATTACHMENT



THREE WIRE ATTACHMENT



FOUR WIRE ATTACHMENT



FIVE WIRE ATTACHMENT

***NOTE: STAKE ALL NUTS AFTER ASSEMBLY**

FILE NO. Standard-25G

REVISIONS				
REV.	DESCRIPTION	DWN	CHK	APP
5	REDRAWN IN AUTOCAD	N.F	JDM	H.A
DATE: May/25/2006				

DWG REFERENCE

ROHN
PRODUCTS

6718 WEST PLANK ROAD
PEORIA, IL 61604
TOLL FREE 800-727-ROHN

THIS DRAWING IS THE PROPERTY OF ROHN. IT IS NOT TO BE REPRODUCED, COPIED OR TRACED IN WHOLE OR IN PART WITHOUT OUR WRITTEN CONSENT.

GUY
ANCHOR ATTACHMENT DETAILS

DWN: O.H	CHKD: R.M	DATE: Jun/06/1964
-------------	--------------	----------------------

ENGR: CW	
-------------	--

DRAWING NO: B640525A	REV: 5
-------------------------	-----------