

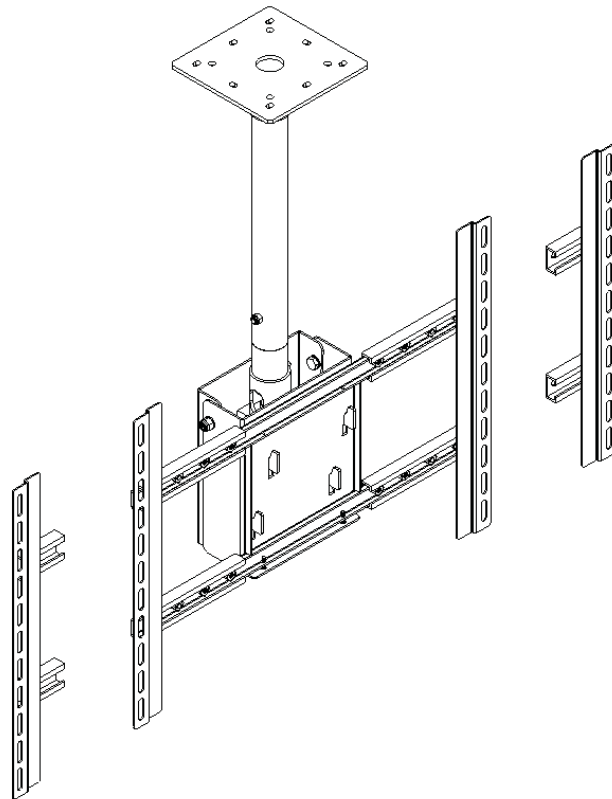
# **WMP**

VIDEO MOUNT PRODUCTS

*Instruction Sheet For:*

## **PDS-LC & PDS-LCB**

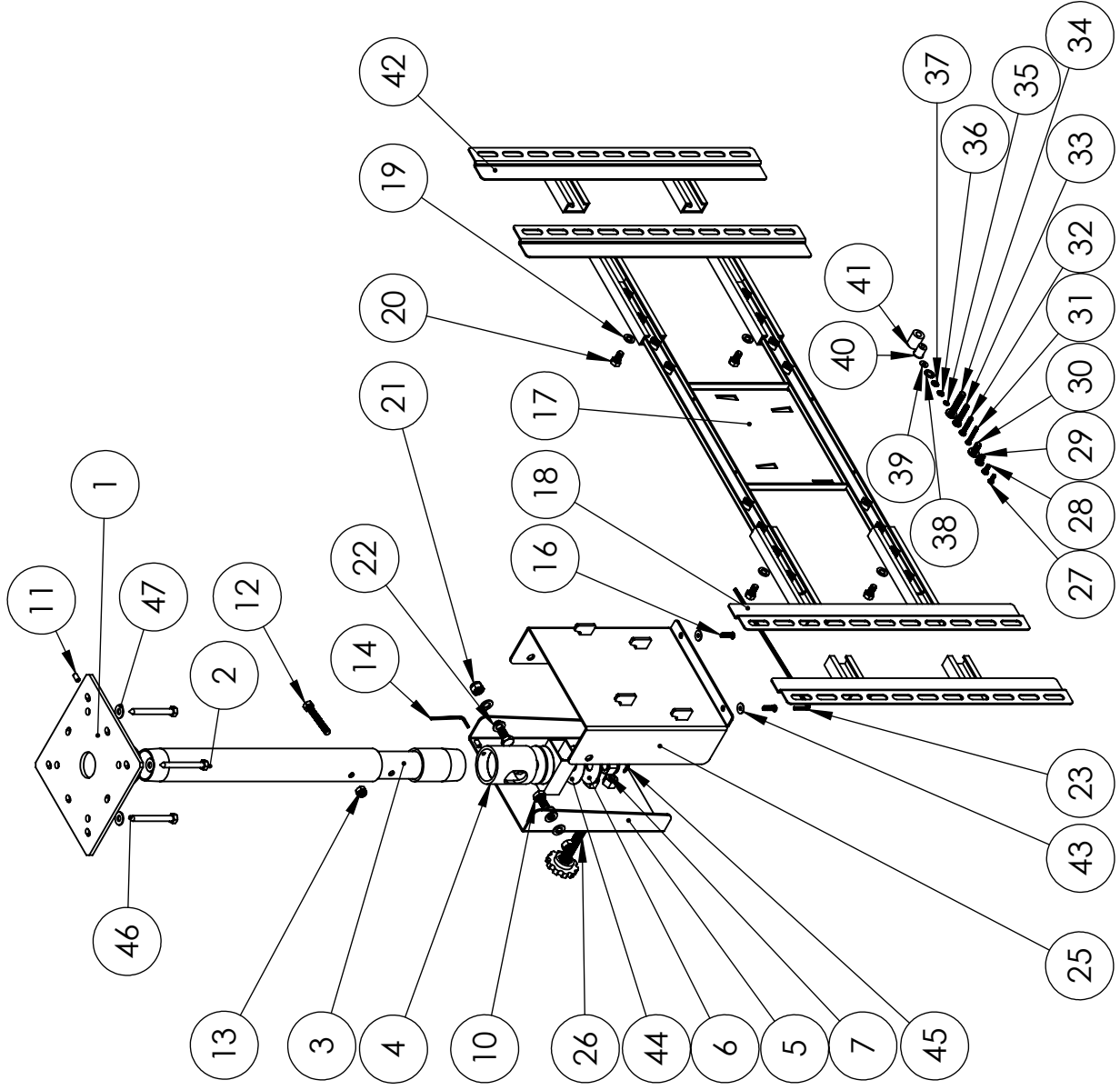
---



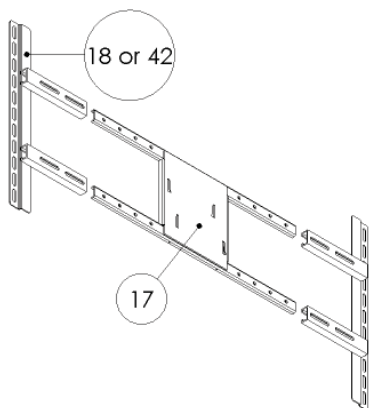
---

*For more information, please contact us at:*  
345 Log Canoe Circle, Stevensville, Maryland 21666  
Toll Free: 877.281.2169 Phone: 410.643.6390 Fax: 410.643.6615  
[www.videomount.com](http://www.videomount.com)

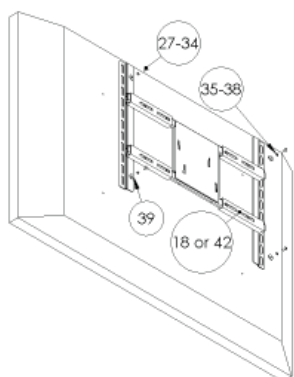
# PDS-LC



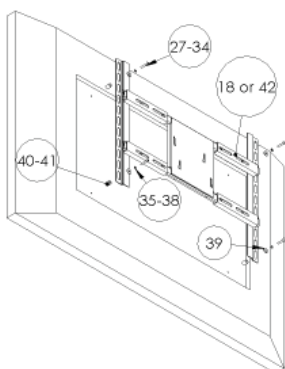
ITEM NO.	DESCRIPTION	QTY.
1	Ceiling Plate	1
2	Outer Mast	1
3	Inner Mast	1
4	Pipe Couple	1
5	Swivel Bracket	1
6	Washer $\varnothing 16.5 \times \varnothing 55.6 \times T3.0$	2
7	Nylon Nut M16*P2.0	1
10	Screw M10*P1.5*L19	2
11	Brake Screw 1/4" - 20UNC*L1/2"	2
12	Screw M8*P1.25*L60	1
13	Nylon Nut M8*P1.25	1
14	M3 Allen Key	1
16	Security Screw M5*P0.8*L20	2
17	Mounting Bracket	1
18	Extension Bracket A	2
19	Washer $\varnothing 5/16 \times \varnothing 16 \times T1.6$	4
20	Screw 5/16" - 18UNC*L5/8"	4
21	Nylon Nut M10*P1.5	2
22	Washer $\varnothing 3/8 \times \varnothing 19 \times T1.6$	6
23	Long Allen Key M4	1
25	Adjusting Bracket	1
26	Adjusting Screw M12*P1.75*L100	1
27	Screw M4*P0.7*L12	4
28	Screw M5*P0.8*L12	4
29	Screw M2*P1.0*L12	4
30	Screw M8*P1.25*L16	4
31	Screw M4*P0.7*L30	4
32	Screw M5*P0.8*L30	4
33	Screw M6*P1.0*L35	4
34	Screw M8*P1.25*L40	4
35	Lock Washer M4	4
36	Lock Washer M5	4
37	Lock Washer M6	4
38	Lock Washer M8	4
39	Washer M5* $\varnothing 18 \times T2.0$	4
40	Spacer M5	4
41	Spacer M8	4
42	Extension Bracket B	2
43	Washer $\varnothing 5 \times \varnothing 15 \times T1.0$	3
44	PVC Washer $\varnothing 16.5 \times \varnothing 55.6 \times T0.7$	2
45	Cotter Pin	1
46	Lag Screw 5/16" * 2.5"	4
47	Washer $\varnothing 8.3 \times \varnothing 19 \times T1.6$	4



Step 2 : Assembling the mounting rails



Step 3A: Attaching the mounting rails to the flat panel (holes are not recessed)



Step 3B: Attaching the mounting rails to the flat panel (holes are recessed)

### Step 1

Before starting lay out all parts to your mount and match them to the parts list provided. Verify that you have all your parts before attempting to assemble the mount.

### Step 2

Slide either extension brackets A or B ( 18 or 42 ) depending on which works better for your TV) onto the mounting plate ( 17 ) and match up the slots on the extension brackets to the holes on the back of your TV.

### Step 3

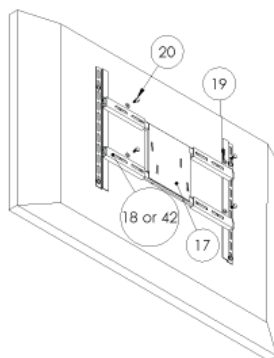
Determine the correct screw size and if you need to use washers, lock washers, or spacers. *Note: Spacers are used for TVs with recessed hole patterns.* Secure the TV to the extension brackets ( 18 or 42 ) using the appropriate hardware ( 27 through 42 ).

### Step 4

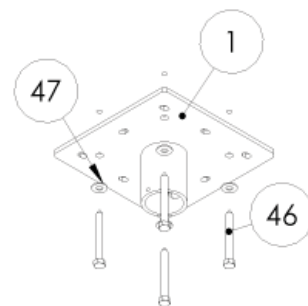
Center the mounting plate ( 17 ) on the TV and use the 5/16" screws ( 20 ) and washers ( 19 ) to secure the extension brackets ( 18 or 42 ) in place. Set this aside for now.

### Step 5

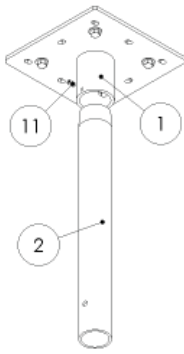
Mark the ceiling or desired mounting surface in preparation of installation of ceiling plate ( 1 ). If mounting to wooden ceiling joists, pre-drill pilot holes using a 7/32" drill bit. Attach the ceiling plate ( 1 ) to the wooden ceiling joist using the 5/16" by 2.5" long lag screw ( 46 ) and washer ( 47 ). **WARNING: Please verify that your mounting surface will support the combined weight of your mount, mounting hardware, and flat panel. Also verify that the mounting surface is safe to drill through. Please note only mounting hardware for mounting to wooden ceiling joists will be provided with the unit. If mounting to a surface other than wooden ceiling joists then other hardware will be required. If in doubt or uncertain about any of the above, please contact a professional installer.**



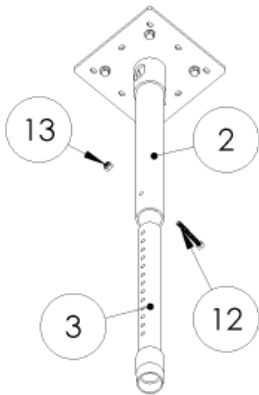
Step 4 : Securing the mounting rails to the mounting bracket



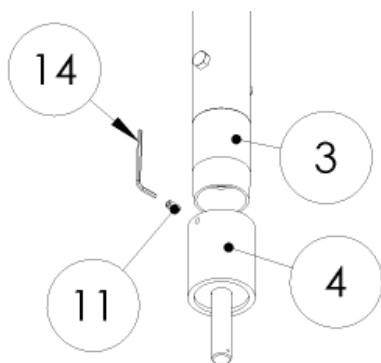
Step 5 : Attaching the ceiling plate to the ceiling



Step 6 : Connecting the outer mast to the ceiling plate



Step 7 : Attaching the inner mast to the outer mast



Step 8 : Attaching the pipe couple to the ceiling mast

### Step 6

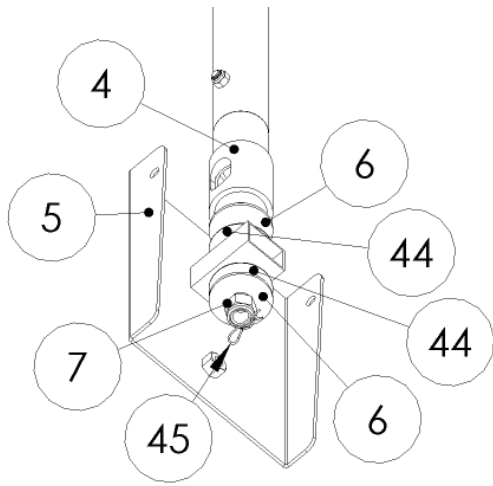
Screw the outer mast (2) into the ceiling plate (1) as tight as possible. Then proceed to take the ¼" – 20 brake screw (11) tighten it down into the pipe couple on the ceiling plate (1) using the M3 Allen key (14). **Note: It is important to tighten down the brake screw (11) as far a possible to prevent the outer mast (2) from rotating out of the pipe couple on the ceiling plate.**

### Step 7

If you wish to run cables through the masting of the mount take time to do so now by inserting the head of the cable through the oval slot cut into the ceiling plate (1) running down through the outer mast (2) and then proceeding to run the cable through the inner mast (3). Insert the inner mast (3) into the outer mast (2) and pin the inner mast into place at the desired height using the M8 hex head screw (12) and nylon nut (13). (1)

### Step 8

If you ran cables through the ceiling mast then proceed to feed the head of the cables out through the slot cut into the pipe couple (4) at this time. Remember to leave enough slack at the bottom to allow you to connect to your flat panel. Screw the pipe couple (4) onto the inner mast (3) as tight as possible. Then tighten the ¼" – 20 brake screw (11) into the pipe couple using the M3 Allen Key (14). **Note: It is important to tighten down the brake screw (11) as far a possible to prevent the pipe couple (4) from rotating off of the inner mast (3).**



Step 9 : Attaching the swivel bracket to the pipe couple

### Step 9

Attach the swivel bracket (5) to the pipe couple (4) using the large metal washers (6), PVC washers (44) and M16 nylon nut (7). Once the nylon nut (7) is tight, slide the cotter pin (45) through the small hole near the bottom of the screw coming out of the pipe couple (4). **Note: Be sure to tighten down the nylon nut (7) as far as possible to prevent sag or list in the mount.**

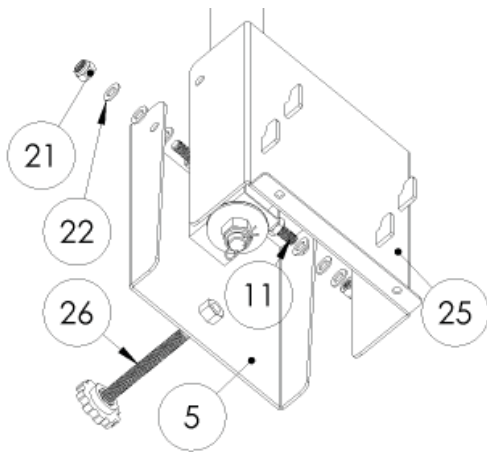
### Step 10

Attach the adjusting bracket (25) to the swivel bracket (5) using the M10 screws (24), washers (22) and nylon nuts (21). Insert the adjustable screw (26) into the back of the swivel bracket (5). This screw will control your tilt.

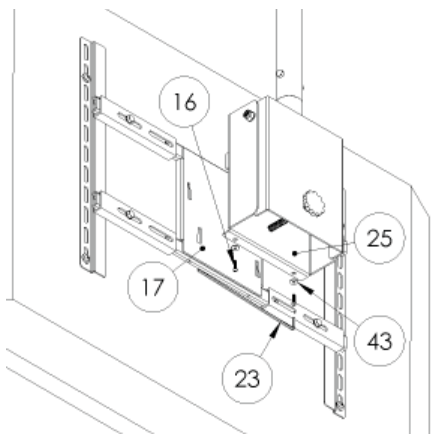
### Step 11

Lift the mounting plate (17) with the TV onto the adjusting bracket (25) inserting the metal tabs on the adjusting bracket (25) through the slots on the mounting plate (17). **WARNING: This step requires at least two people to prevent possible injury.** Use the M5 screws (16), washers (43), and long Allen key (23) to secure the mounting plate (17) to the adjusting plate (25).

Verify all screws and nuts are securely fastened.



Step 10 : Attaching the adjusting bracket to the swivel bracket



Step 11 : Attaching the mounting bracket to the adjusting bracket



*Enjoy Your Mount!*

**WARNING:** The installer of these products must verify that the mount surface, ceiling or wall, will safely support the combined weight of all attached equipment and hardware. Video Mount Products will not be held liable for the improper use or installation of its products.