

C13-B

small television ceiling mount

Product Features:

rotates 360° at ceiling / 260° at base

adjustable 0° to 10° tilt

includes safety/security strap

tray: width -15" / depth - 11"

holds most 9" to 13" televisions

load capacity - 60 lb

black powder coat finish

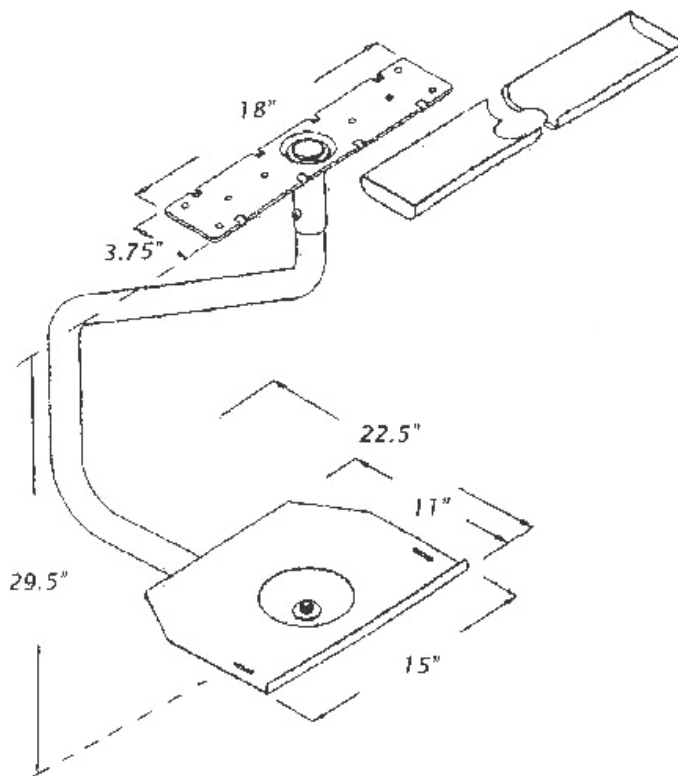
also available in white scratch resistant finish
(C-13W)

Product Specifications:

(for Architects & Engineers)

The ceiling tray mount for monitors shall be a Video Mount Products (VMP) model C13-B. The mount shall be designed to attach to 16" centers or a single joist running lengthwise. The mount shall be primarily constructed of tubular steel and shall incorporate nylon filled nuts and arc welds. The mount will allow adjustable tilt up to a maximum of 10° and will swivel 360° at the ceiling and 240° at the base. It shall be capable of supporting most 9" to 13" monitors. The mount shall include a security strap for the monitor. The load capacity shall be 60 lbs. The mount shall be UL listed in the US and Canada. The mount will also be available in a white (C13-W) scratch resistant finish.

Video Mount Products
325 Log Canoe Circle
Stevensville, MD 21666
Phone: 410.643.6390
Fax: 410.643.6615
www.videomount.com



VMP
VIDEO MOUNT PRODUCTS

